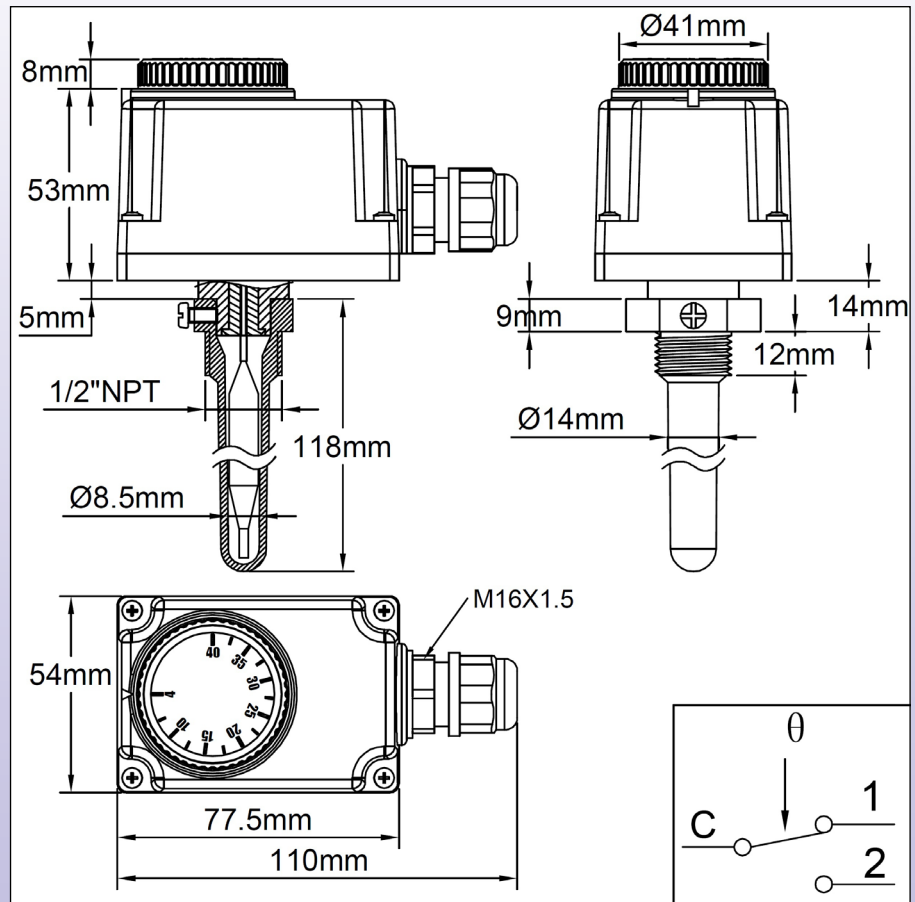


Y0 range - IP20 to IP44 enclosures and thermostatic controls

Set point adjustable rod thermostat, IP44 commercial housing type Y05 with plastic pocket, for corrosive water and swimming pools



Housing: IP44, 77,5 x 54 x 53mm, (Knob and cable gland not included), black PC-ABS, UL94V0. High impact and UV resistance. Stainless steel wall mounting plate, with 2 plastic lugs.

Electrical input: M16 cable gland.

Temperature Adjustment: With °C printed knob.

°F printed knobs available in option

Sensing element: Liquid filled bulb, located inside a backside mounted PBT pocket.

Adjustment ranges: 4-40°C(40-105°F)

Rod length: 97 mm

Electrical connections: screw terminals and external ground terminal

Mounting: by the 1/2" NPT pocket fitting

Contact: SPDT

Electrical rating:

- Open on temperature rise contact (C-1) 16A(2.6) 250VAC

- Close on temperature rise contact (C-2) 6A(0.6) 250VAC

- Electrical life >100.000 cycles.

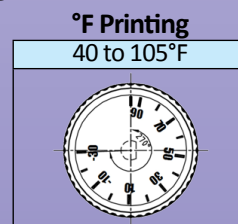
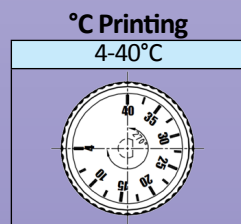
Cannot be used in 400VAC.

Main references

°C		°F		Differential °C (°F)	Max temperature on rod °C (°F)
Temperature range (°C)	°C knob	Temperature range (°F)	°F knob		
4-40°C	Y057GA004040P10P	40-105°F	Y057GA004040P10Q	1,5 (-0+2) °C 3 (-0+3,5) °F	60°C (140°F)

Other temperature range, consult us

Knob printings



Because of permanent improvement of our products, drawings, descriptions, features used on these data sheets are for guidance only and can be modified without prior advice